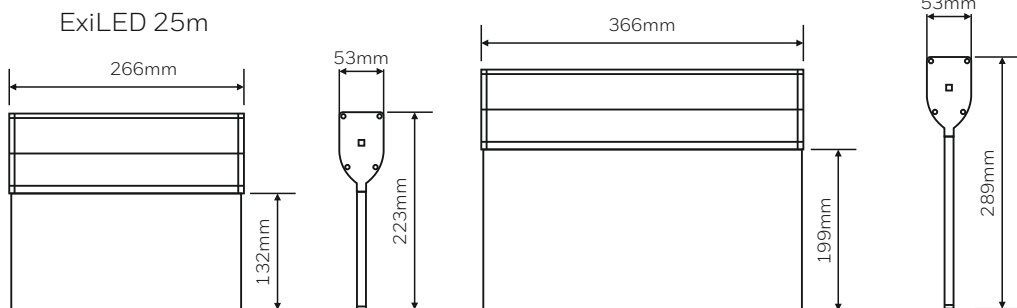
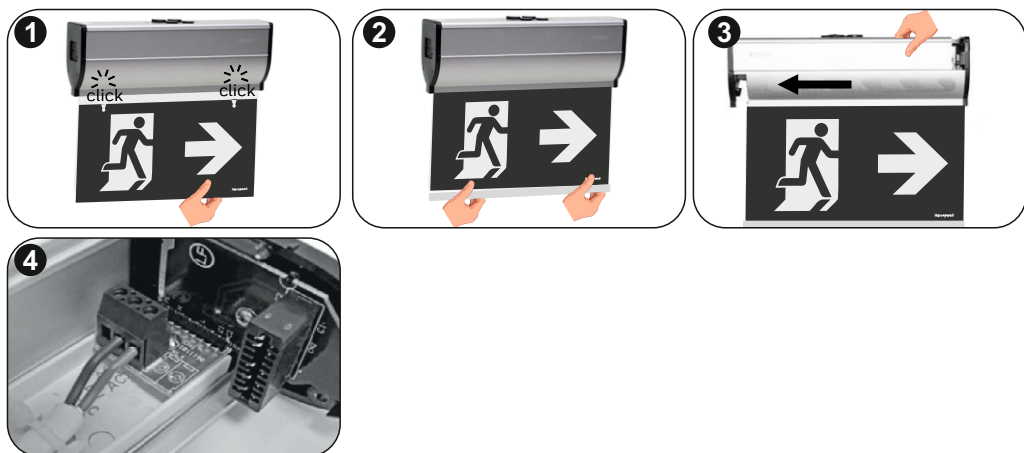


CBS Emergency Light

Dimensional Drawings:



Installation:



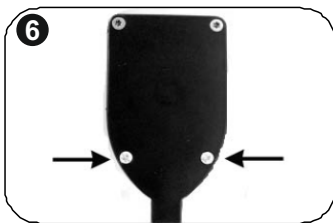
The product contains bracket for wall mounting and spacers for ceiling mounting.

Step 1: For double sided pictogram, install the appropriate pictograms to both sides, push up until you hear click sound. For single sided pictogram, there is one blind pictogram in the package.

Step 2: Install the retaining clip to hold the pictograms.

Step 3: Dismantle the luminaire by sliding the mounting part as shown in picture. Fasten the mounting part (with screws from within) to either wall bracket(supplied), ceiling (with or without supplied spacers), pendulum, wire or flag bracket.

Step 4: Make a hole in a black grommet and pass the 24V cable through it. Connect the cable to the terminal blocks: AC1 and AC2. Power supply cables cross section should be 0.8 - 3 mm². Tighten the cable tie around the cables.



Step 5: Slide the two aluminium parts carefully together.

Step 6: Fasten the two screws (included) as shown in the picture.

Step 7: Fasten the two screws (included) as shown in the picture.

Technical description	ExiLED 25m CBS 24V	ExiLED 40m CBS 24V
Part no.:	290144	290146
Operation Voltage:	15-30V DC, 17-27V AC / 50-60Hz	
Maximum Power Consumption:	1.25W / 1.4VA	1.43W / 1.6VA
Lumen output:	150 lm	180 lm
Produced in accordance with:	EN 60598-1, EN 60598-2-22, EN 55015 EN 61547, EN 61000-3-2, EN 61000-3-3	
Ambient Temperature Range:	-30 to 50 °C	
Relative Humidity:	Up to 95%	
Degree of cover protection:	IP40	
Technical lifetime (light source):	> 100000 hours	
Weight:	820 gr	1320 gr



At the end of their useful life the packaging and product should be disposed of via a suitable recycling centre.
Do not dispose of with your normal household waste.
Do not burn.



The light source contained in this luminaire shall only be replaced by the manufacturer, or his agent, or a similar qualified person.

NOTE! The light source is non-user replaceable.