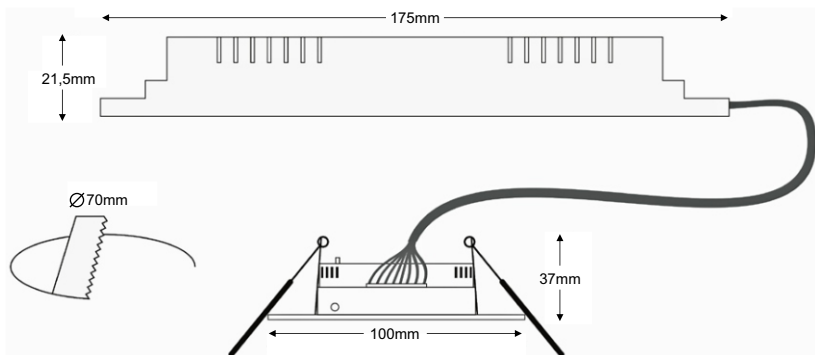
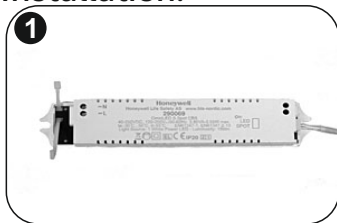


Dimensional Drawings:



Installation:



To install this luminaire, a hole \varnothing 70 mm must be cut in the suspended ceiling. For correct mounting, observe the light direction

Step 1: Connect the 24V cables to the terminal blocks, **C1** and **C2**. Power supply cables cross section should be $0.8 - 3 \text{ mm}^2$. After the connection of the cables, secure them with the provided cable tie. Place the main unit on the false ceiling. For spot installation see the next page.



The light source contained in this luminaire shall only be replaced by the manufacturer, or his agent, or a similar qualified person.

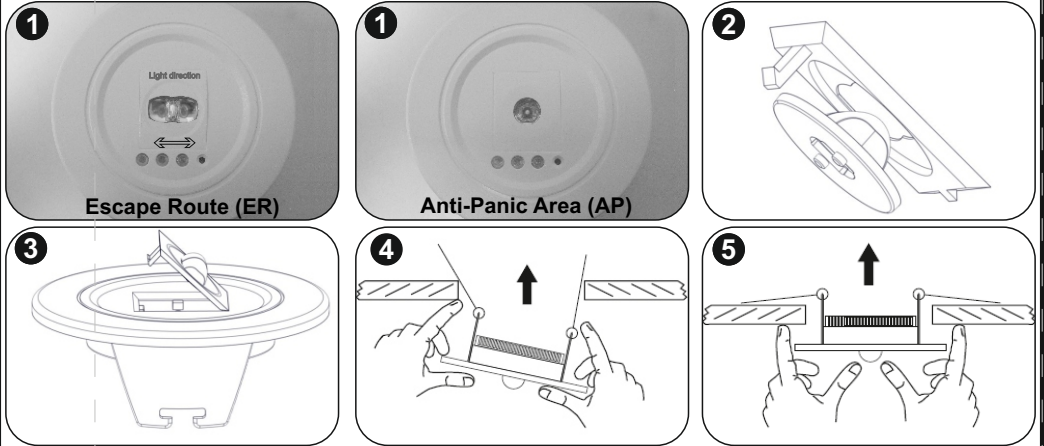
NOTE! The light source is non-user replaceable.



At the end of their useful life the packaging and product should be disposed of via a suitable recycling centre.
Do not dispose of with your normal household waste.
Do not burn.



Spot Installation:



Step 1: In order to place the proper lens (Anti - panic or escape route), first be sure that the luminaire is not connected in the mains power supply and the battery is disconnected. A 5 lux lens (Part no. 2900XX.STR) is also available for order. Use the corresponding lens retaining cover depending on the lens you will use.

Step 2: Put the lens on the retaining cover.

Step 3: Insert the cover with the lens on the luminaire. Be carefull not to touch the LED with your hand.

To install the spot place the main unit on the false ceiling and follow the next steps.

Step 4: Bend one spring, to get into the holes of the suspended ceiling.

Step 5: Bend the other spring and push the luminaire upwards until it is securely mounted. The device is now ready to operate.

Technical description	Ova-OmniLED R S LED 24V Centralized
Part no.:	138372
Operation Voltage:	15-30V DC, 17-27V AC, 50-60 Hz
Maximum Power Consumption:	3.5W / 3.7VA
Lumen output:	270 lm
Produced in accordance with:	EN 60598-1, EN 60598-2-22
Ambient Temperature Range:	-30 to 50 °C
Relative Humidity:	Up to 95%
Degress of cover protection:	IP20
Technical lifetime (light source):	> 100000 hours
Weight:	145 gr