

L-VOM40A/EN(C)&582485 L-VOM40A/EN&582477 Column Loudspeaker

* L-VOM40A/EN(C)&582485 is supplied with capacitor for line monitoring



This loudspeaker is a high-performance 40 W voice alarm column loudspeaker for outdoor use. It provides a broad frequency response range, low distortion and high sound pressure level for accurate and intelligible broadcast of evacuation messages and high quality sound reproduction. Its low-profile, white color design blends easily with most interiors in locations such as hotels, conference rooms, cinemas, theme parks, factories and exhibitions.

This voice alarm outdoor column loudspeaker complies with BS 5859 part 8 and EN54 part 24.

Technical Specifications

Electrical

Max power	60 W
Rated power	40 W (10 W x 4)
Power tapping	40 W / 20 W / 10 W / 5 W
Sensitivity (1W/4m, 100Hz~10kHz)	82 dB
SPL(1W/1m, 100Hz~10kHz)	94 dB
SPL(40W/4m, 100Hz~10kHz)	96 dB
Frequency response (-10 dB)	300 Hz ~ 15k Hz
Rated input voltage	100 V / 70 V
Rated impedance	250 Ω / 500 Ω / 1k Ω / 2k Ω
Connection	fire-resistant cable

Mechanical

Dimensions	165 mm x 150 mm x 568 mm
Weight	5.75 kg
Color	RAL9003
Speaker size	4" x 4

Environmental

Operating temperature	-25°C to +55°C
Storage temperature	-40°C to +70°C
Relative humidity	<95%

* The reference axis is perpendicular to the centre point of the front grille
 * The reference plane is perpendicular to the centre of the reference axis
 * The horizontal plane is perpendicular to the centre of the reference plane
 * The spec/data was measured using a standard baffle mounting in an anechoic chamber as described in EN54-24



0359
12

0359-CPD-0173

- Intelligible voice and superior sound reproduction
- Robust aluminum housing
- Supplied with universal swivel bracket for easy angle adjustment
- Able to be switched between 100V and 70V
- Adapts to extreme environment
- Complies with EN54-24 standard

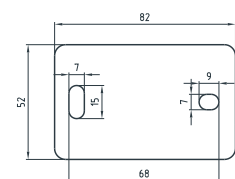
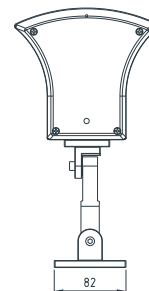
Installation/Configuration Notes

Mounting

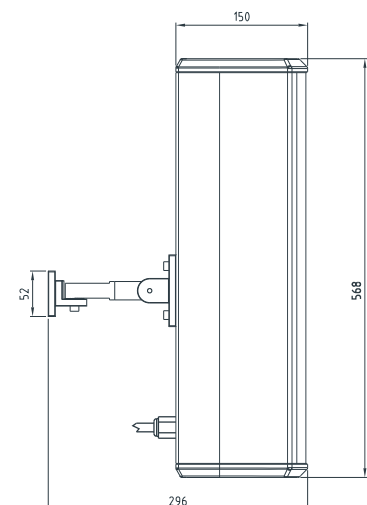
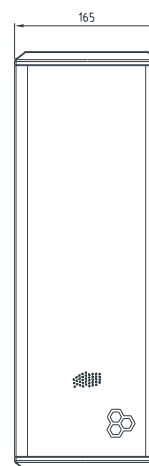
The universal swivel bracket installed in the sliding slot allows quick installation and angle adjustment. Optionally, U-bracket can also be used to achieve the same purpose. Power tapping can be selected or changed after installation.

Power setting

The product comes with a one-meter, fire-resistant six-core cable already attached to the ceramic connector. The cable is a bundle of wires color-coordinated corresponding to the different power taps of the transformer.

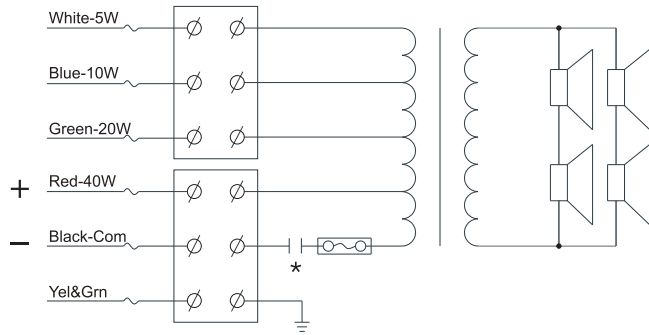


Mounting dimensions in mm



Dimensions in mm

Circuit Diagram



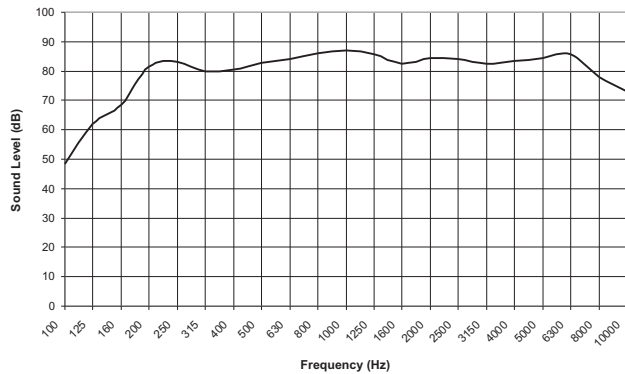
* unit fitted with capacitor

With transformer: 100V/70V line

	Red	Green	Blue	White	Black
100V	40W	20W	10W	5W	Com
70V	20W	10W	5W	2.5W	Com
IMP(Ω)	250	500	1K	2K	

Frequency Response

Frequency Response at 100 volt/4m, 1/3 oct smoothing



Dispersion angles

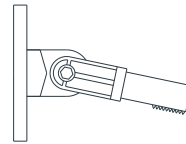
		Horizontal	Vertical
1 oct. pink noise	500 Hz	197°	83°
1 oct. pink noise	1k Hz	147°	48°
1 oct. pink noise	2k Hz	107°	23°
1 oct. pink noise	4k Hz	151°	11°

Installation Instructions

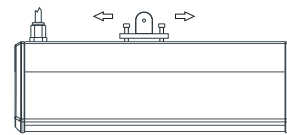
1. The swivel bracket is made up of three separate pieces. Disassemble the piece that will be mounted on the wall from the other piece. Attach this piece to the wall at desirable location.



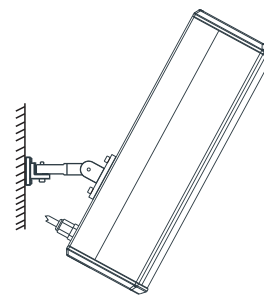
2. Adjust the bracket's angle, and tighten the screw.



3. Loosen the bracket in the slot on the back of the column. Slide the bracket in the slot to the desired position and tighten the screw.



4. Attach the assembly to the piece of bracket that is mounted on the wall. Adjust it to the desired angle and then tighten the screw. Choose the right tapping according to the color of the audio input line.



Honeywell

hav.international@honeywell.com

www.honeywellav.com

© 2014 Honeywell International Inc. All rights reserved.

Data subject to change without notice

USA: Honeywell International Inc./ 12 Clintonville Road, Northford CT 06472
 Europe: Novar GmbH a Honeywell Company / Dieselstrasse 2,41469 Neuss, Germany
 Austria: Honeywell Life Safety Austria GmbH / Lembockgasse 49, 1230 Vienna, Austria
 UK: Novar Systems Ltd / Waterside Road, LEICESTER, Leicestershire LE5 1TN, United Kingdom

M_L-VOM40A/EN(C)&582485_EN_1.2
 2100040713