

L-VJM20A/EN(C)&582482 L-VJM20A/EN&582474 Unidirectional Projection Loudspeaker

* L-VJM20A/EN(C)&582482 is supplied with capacitor for line monitoring



This loudspeaker is a high-performance 20 W voice alarm unidirectional projection loudspeaker. It provides a broad frequency response range, low distortion and high sound pressure level for accurate and intelligible broadcast of evacuation messages and high quality sound reproduction. It can be used in indoor, outdoor, dry, or wet applications, providing reliable operations over wide temperature and humidity ranges. Its low-profile, white color design blends easily with most interiors in locations such as hotels, conference rooms, cinemas, theme parks, factories and exhibitions.

This voice alarm unidirectional projection loudspeaker complies with BS5839 part 8 and EN54 part 24.

Technical Specifications

Electrical

| | |
|-------------------------------------|----------------------------|
| Max power | 30 W |
| Rated power | 20 W |
| Power tapping | 20 W / 10 W / 5 W / 2.5 W |
| Sensitivity (1W/4m, 100Hz~10kHz) | 77 dB |
| SPL(1W/1m, 100Hz~10kHz) | 89 dB |
| SPL(20W/4m, 100Hz~10kHz) | 89 dB |
| Frequency response (-10 dB) | 150 Hz ~ 20k Hz |
| Rated input voltage | 100 V / 70 V |
| Rated impedance | 500 Ω / 1k Ω / 2k Ω / 4k Ω |
| Connection | fire-resistant cable |

Mechanical

| | |
|--------------|--------------------------|
| Dimensions | 140 mm x 140 mm x 195 mm |
| Weight | 2.65 kg |
| Color | RAL9003 |
| Speaker size | 5.25" |

Environmental

| | |
|-----------------------|----------------|
| Operating temperature | -25°C to +55°C |
| Storage temperature | -40°C to +70°C |
| Relative humidity | <95% |

* The reference axis is perpendicular to the centre point of the front grille
 * The reference plane is perpendicular to the centre of the reference axis
 * The horizontal plane is perpendicular to the centre of the reference plane
 * The spec/data was measured using a standard baffle mounting in an anechoic chamber as described in EN54-24



- Intelligible voice and superior sound reproduction
- Ceiling or wall mount
- Meets virtually any outdoor requirements
- Complies with EN54-24 standard

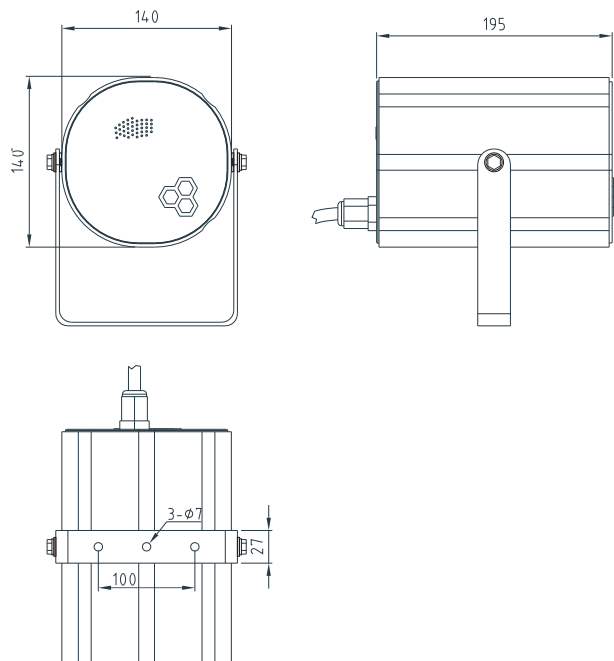
Installation/Configuration Notes

Mounting

A durable bracket is provided for quick installation and flexible angle adjustment. Besides, this unidirectional loudspeaker can be ceiling mount with a bracket.

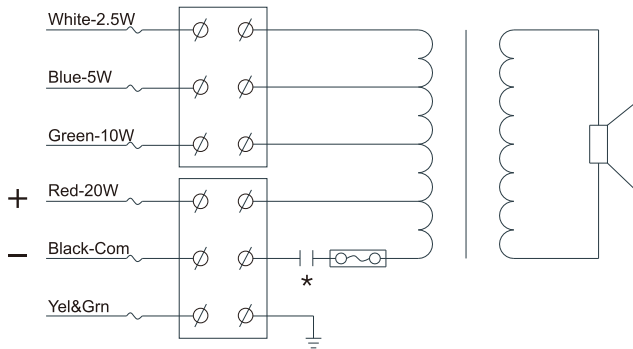
Power setting

The product comes with a one-meter, fire-resistant six-core cable already attached to the ceramic connector. The cable is a bundle of wires color-coordinated corresponding to the different power taps of the transformer. The cable connector is mounted on the back cover for easy installation.



Dimensions in mm

Circuit Diagram



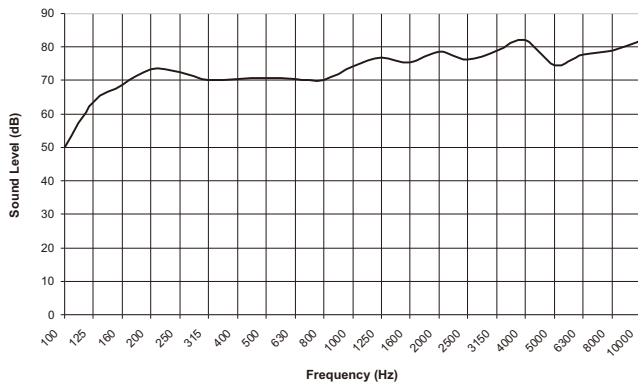
* unit fitted with capacitor

With transformer: 100V/70V line

| | Red | Green | Blue | White | Black |
|--------|-----|-------|------|-------|-------|
| 100V | 20W | 10W | 5W | 2.5W | Com |
| 70V | 10W | 5W | 2.5W | 1.25W | Com |
| IMP(Ω) | 500 | 1K | 2K | 4K | |

Frequency Response

Frequency Response at 100 volt/4m, 1/3 oct smoothing

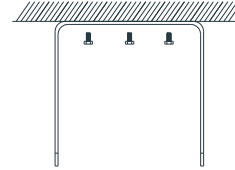


Dispersion angles

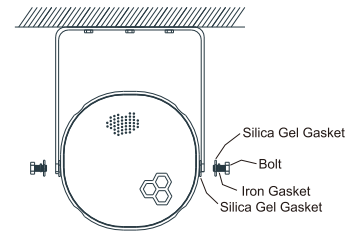
| | | Horizontal | Vertical |
|-------------------|--------|------------|----------|
| 1 oct. pink noise | 500 Hz | 360° | 360° |
| 1 oct. pink noise | 1k Hz | 214° | 219° |
| 1 oct. pink noise | 2k Hz | 116° | 116° |
| 1 oct. pink noise | 4k Hz | 57° | 58° |

Installation Instructions

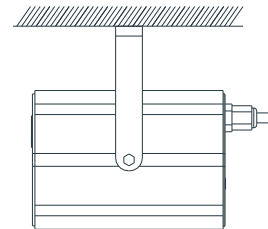
1. Remove the aluminum bracket from the carton and secure it on the ceiling or wall using the three provided mounting screws.



2. Use the screws, gasket and silicone O-ring in the accessory package to secure the speaker to the bracket according to the picture below.



3. Adjust the angle and tighten the screws on both sides.



Honeywell

hav.international@honeywell.com

www.honeywellav.com

© 2014 Honeywell International Inc. All rights reserved.

Data subject to change without notice