



DK-MH 30/T plus-EN54

- superb sound quality
- weather proof
- BS 5839



EN 54-24:2008
Ref. Nr.: 003-13
ID-Code: SAA-LS03
1438/CPD/0242

ic audio GmbH, Boehringerstraße 14a,
D-68307 Mannheim, Germany

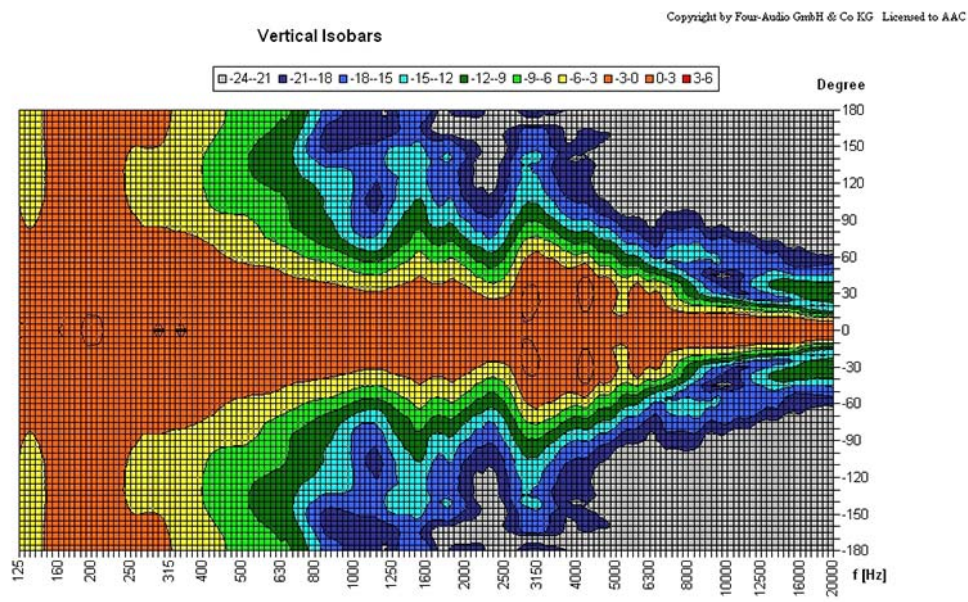
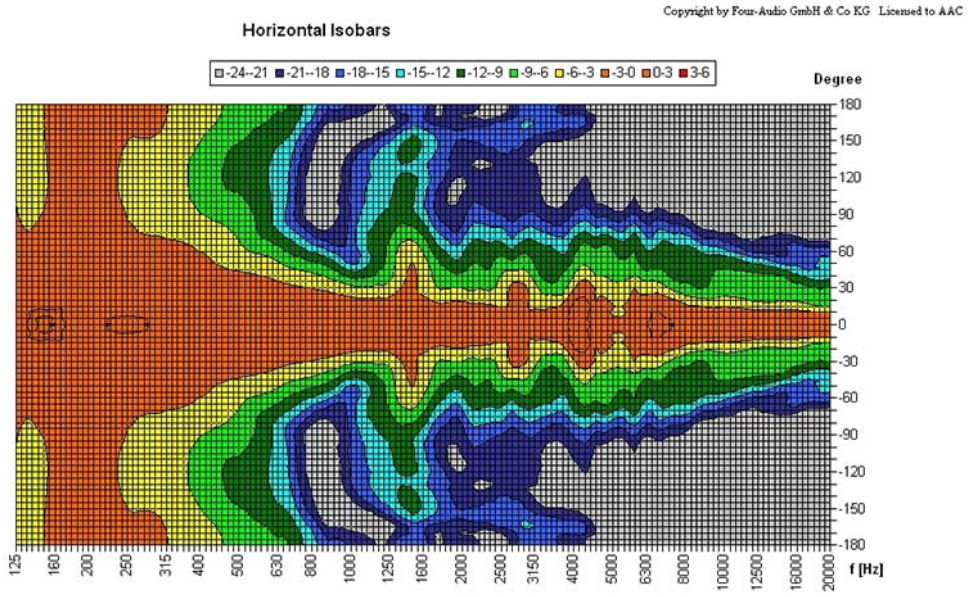
CE-Symbol gemäß Richtlinie 93/68EWG

The 30W powered 2-way speaker is equipped with a 100V line transformer with 4 power adjustments. The impact-resistant ABS housing in RAL 7035 guarantees long-term stability. For additional reliability, a 2x3 pin-ceramic block and a thermal fuse is provided.

The speaker is also secured with the high protection class IP 66 against the security risks of environmental influences. The speaker is compliant with the British Standard BS 5839, Part 8.

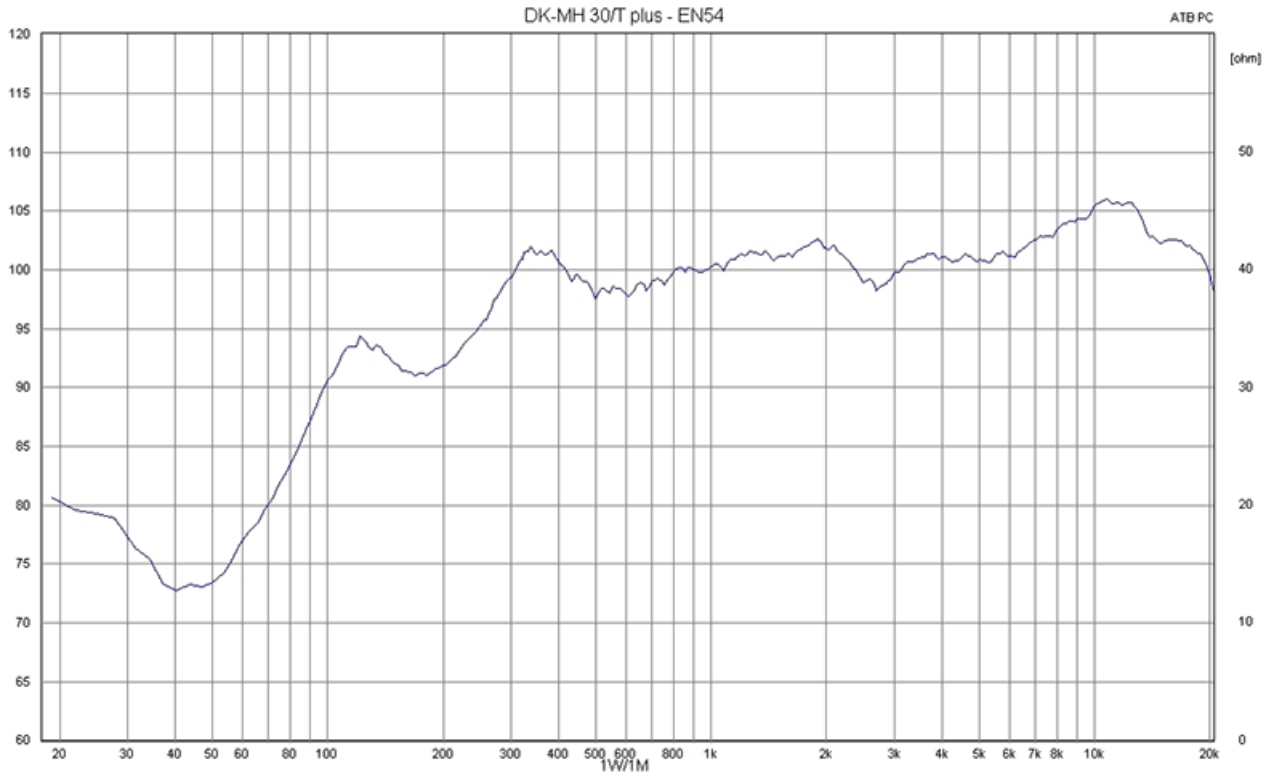
Mounting by stainless aluminum universal mount. Optionally available is a mast bracket (MB) for about 200mm mast diameter.

Polar Diagrams

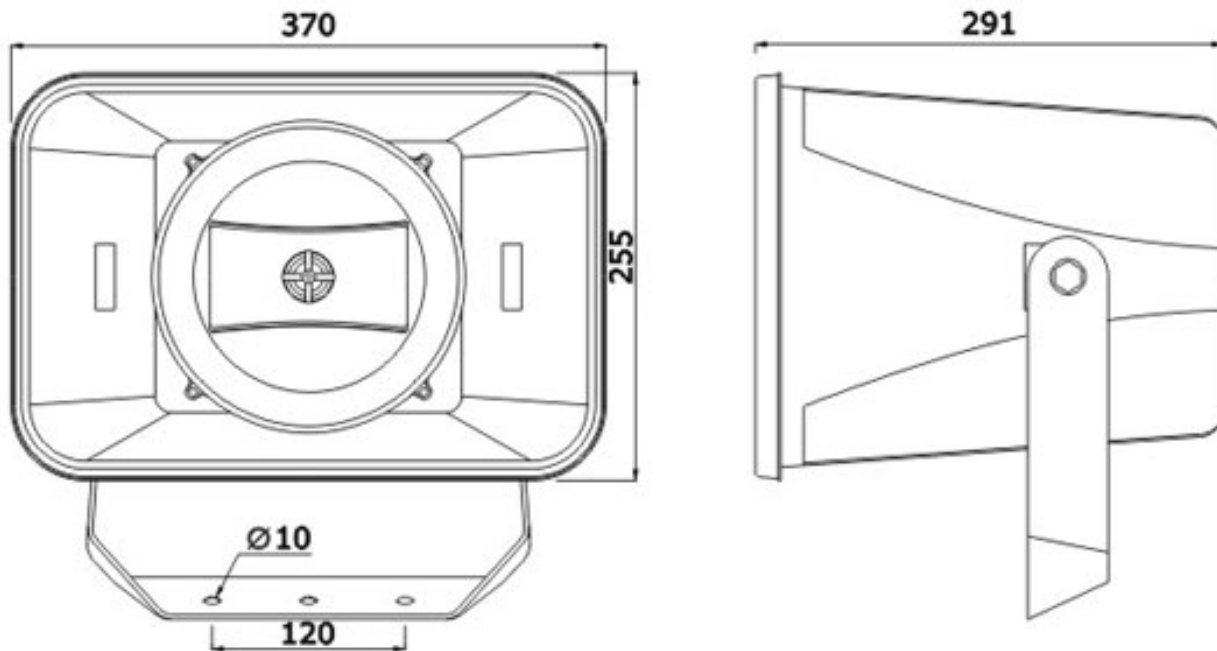


Parameters: Cyclic Move: 0° ; Symmetry: average sym ; Freq.Smooth: 1/3 Oct ; Ang.Resol.: 5° ; Rel. to: 0° Axis 0°

Frequency Response Diagrams



Technical Diagrams



Technical Data (Electical)

Description	DK-MH 30/T plus-EN54
Power	30/15/7,5/3,75 W
Frequency Range	237 - 21.100 Hz
Frequency Response	65 - 24.000 Hz
SPL 1W/1m, IEC 268-5	101,8 dB
SPL , 1W/4m, IEC 268-5	89,8 dB
SPL Pmax/4m, IEC 268-5	104,5 dB
Sensitivity EN54-24, 1W/4m	78,4 dB
Dispersion -6dB, 500Hz	145° (h) 193° (v)
Dispersion -6dB, 1KHz	60° (h) 99° (v)
Dispersion -6dB, 2KHz	57° (h) 103° (v)
Dispersion -6dB, 4KHz	80° (h) 123° (v)

Technical Data (Mechanical)

Dimensions	370x255x291 mm
Weight (net)	4,57 kg
Temperature range	-20 / +150 °C
Mounting	Mounting bracket
Connector	2 x 3-pin ceramic block
Colour	RAL 7035

Product Attributes



Measurements according to DIN IEC 268-5 | RoHS compliant (2002/95/EG)



Article Nr.: 20102232

Packing Unit: 4

