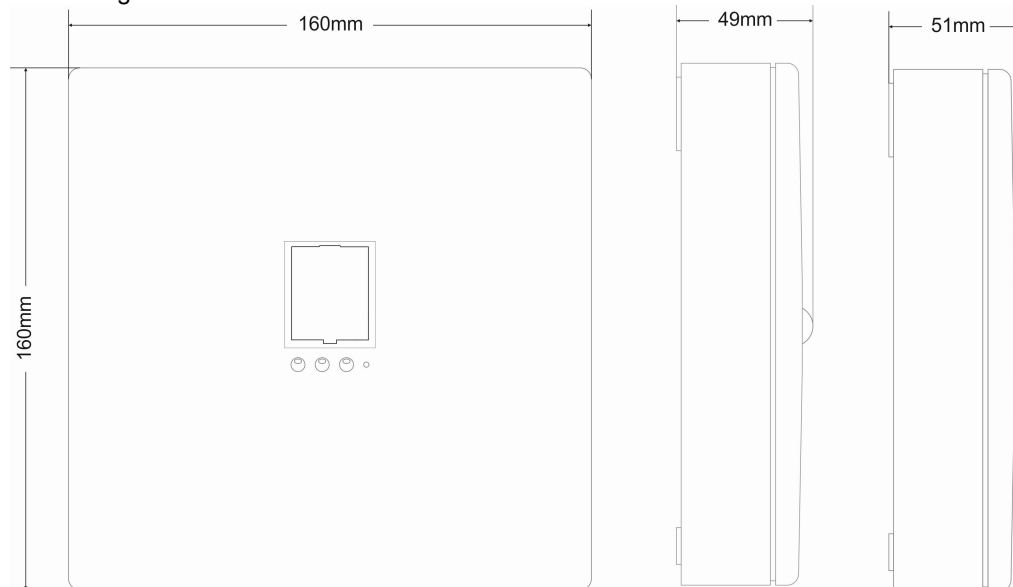
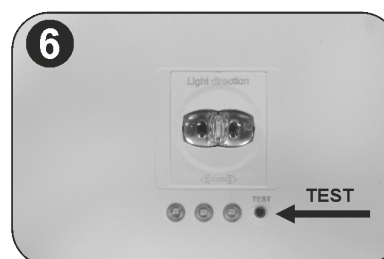
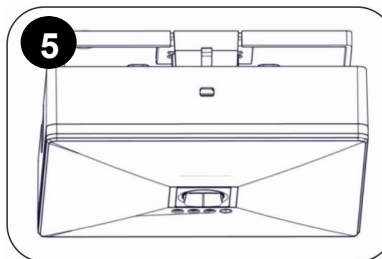
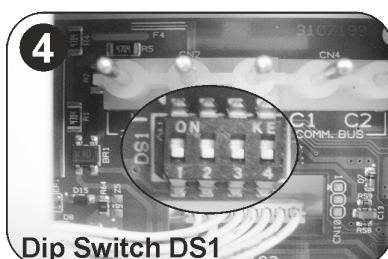
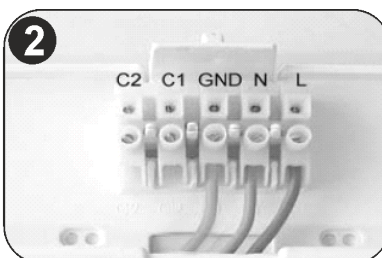
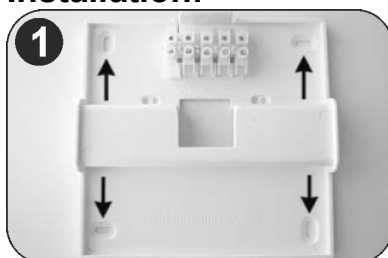


## Surface mounted

Dimensional drawings:



### Installation:



**Step 1:** Mount the socket, make sure that the light direction is correct (marked in socket).

**Step 2:** Connect the mains cables **L**, **N** and **GND** (optional) to the terminal block. The ground terminal is optional. Power supply cables cross section should be 0.8 – 3 mm<sup>2</sup>. The **C1** and **C2** terminals are used for eIBus communication (optional), DALI communication (optional) or voltage free contact (optional).

**Step 3:** Connect the battery.

**Step 4:** From Dip Switch 1, you can select the autonomy duration. Read below for details.

**Step 5:** Hook the luminaire to the two notches in the socket and push carefully until the plastic hook locks.

**Step 6:** In order to place the correct lens see page 2 for installation.

**Step 7:** A test button for manual tests and reset is located next to the indication LEDs.

**Disassembly:** Press the plastic hook (picture 5) using e.g. a screwdriver and carefully pull the luminaire down.

**Note:** In case of mains power disconnection for a period of more than two months, the battery must be disconnected.

### Important notice when installing luminaires within the same area!!!

To avoid that luminaires perform their battery test at the same day, connect the battery packs with more than 1,5 minutes inbetween.

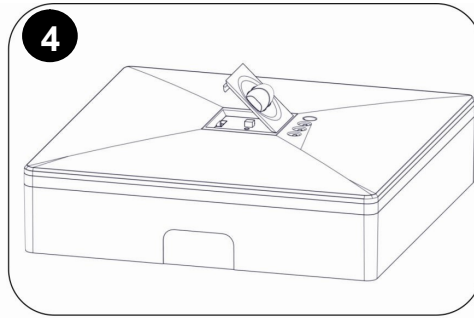
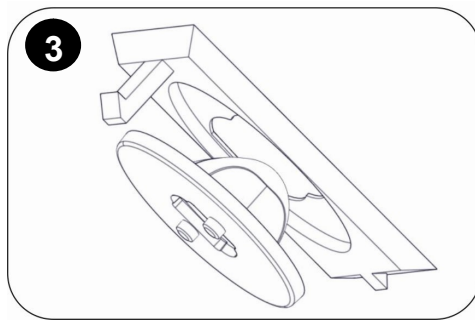
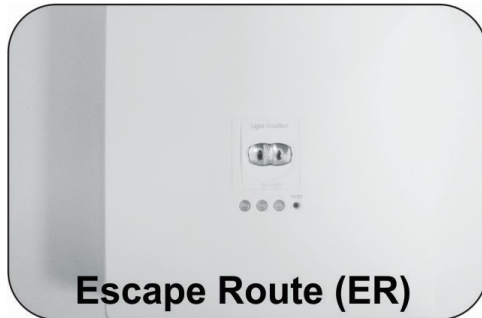
## LENS PLACEMENT

**Step 1:** In order to place the proper lens (Anti - panic or escape route), first be sure that the luminary is not connected in the mains power supply and the battery is disconnected.

**Step 2:** Use the corresponding lens retaining cover depending on the lens you will use.

**Step 3:** Put the lens on the retaining cover.

**Step 4:** Insert the cover with the lens on the luminary. Be carefull not to touch the LED with your hand.



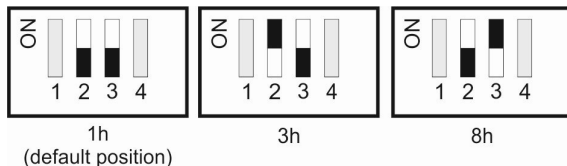
Indicator LEDs	Description																								
<table border="0"> <tr> <td>○ GREEN</td> <td>○ YELLOW</td> <td>○ RED</td> </tr> <tr> <td>⊗</td> <td>○</td> <td>○</td> </tr> <tr> <td>⊗</td> <td>○</td> <td>○</td> </tr> <tr> <td>○</td> <td>⊗</td> <td>○</td> </tr> <tr> <td>⊗</td> <td>⊗</td> <td>○</td> </tr> <tr> <td>○</td> <td>○</td> <td>⊗</td> </tr> <tr> <td>⊗</td> <td>○</td> <td>⊗</td> </tr> <tr> <td>⊗</td> <td>⊗</td> <td>⊗</td> </tr> </table>	○ GREEN	○ YELLOW	○ RED	⊗	○	○	⊗	○	○	○	⊗	○	⊗	⊗	○	○	○	⊗	⊗	○	⊗	⊗	⊗	⊗	<p>Normal</p> <p>Charging (battery test not possible while charging)</p> <p>Mains off, battery not connected or charger fault</p> <p>Battery test</p> <p>Battery fault</p> <p>Light source test</p> <p>Light source fault</p> <p>Battery fault and light source fault</p>
○ GREEN	○ YELLOW	○ RED																							
⊗	○	○																							
⊗	○	○																							
○	⊗	○																							
⊗	⊗	○																							
○	○	⊗																							
⊗	○	⊗																							
⊗	⊗	⊗																							
<p><b>LED status explanation</b></p> <p>○ Off   ⊗ On   ⊗ Flashing</p>																									

Technical description	Ova-OmniLED Square ER AP NM ST LED 230V 138h
Part no.:	138006
Lumen output (1/3/8h):	360 / 170 / 70 lm
Maximum power consumption:	3.4W / 3.9V
Operation voltage:	220-240VAC 50/60Hz
Emergency mode duration:	1 h / 3h / 8h manually selected (default 1h)
Battery:	4.8V / 1.2Ah NIMH
Battery protection:	Over charge protection / deep discharge protection
Charging time:	16 hours
Ambient temperature range:	5 to 40°C
Relative humidity:	Up to 95%
Produced in accordance with:	EN 60598-1, EN 60598-2-22, EN 55015, EN 61547, EN 61000-3-2, EN 61000-3-3
Technical lifetime (light source):	> 100000 hours
Weight:	618 gr
Degrees of cover protection:	IP20
Expected battery lifetime:	4 years
Controlgear classification in accordance with IEC 62034: with automatic test function	
The controlgear is proof against supply voltage polarity reversal.	
The controlgear has mains-connected windings of transformer.	

The Ova/OmniLED is a self-contained non-maintained luminaire with selftest function.

### Autonomy duration selection

The user can select one of the 3 available minimum autonomy durations: 1 hour, 3 hours and 8 hours. The selection must be done while the luminaire is disconnected from AC and battery supplies. The selection is achieved through Switches 2 & 3 of DS1 according to image below. Switches 1 and 4 are not used.



### Technical label installation

Two additional labels are included in the package, one for 3 hours duration (180) and one for 8 hour duration (480). Depending on the selected duration, the installer must cover the default 1 hour (60) printing with one label that has the required duration. Please take notice of the orientation of the label.

### Selftest functions

Every 15 days the luminaire will perform an emergency operation test. This will light the white LED for approximately 3 seconds. The red LED will flash during this test sequence.

Every 6 months the luminaire will perform a battery condition test. The test will last for 60 minutes. The white LED will be lit and the yellow LED will flash during this test sequence.

**Note:** When using DALI or Wireless communication, the frequencies and schedules for tests will instead be determined by the connected PC software.

### Manual test functions

Manual tests can only be performed if both mains and battery are connected.

By pressing the test button briefly (less than 5 seconds) an emergency operation test is performed. The white LED will be lit for approximately 3 seconds, the red LED will flash during this test sequence.

By pressing the test button for between 5 and 10 seconds a battery condition test is performed. This test will last for 60 minutes and can only be performed when the battery is fully charged (steady green LED). The white LED will be lit and the yellow LED will flash during this test sequence.

### Resetting errors

Push the test button for >10 seconds to delete all indicated errors. Then the luminaire enters regular operation mode.

**Note:** In case of battery replacement, this must be replaced with the same type. The replacement must be performed by the manufacturer or a competent person.

**Note:** If the supply cable of the luminaire is damaged, it shall exclusively be replaced by a competent person in order to avoid hazard.

